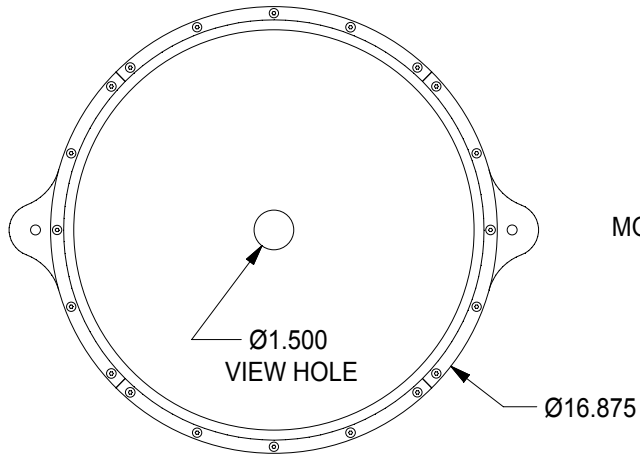
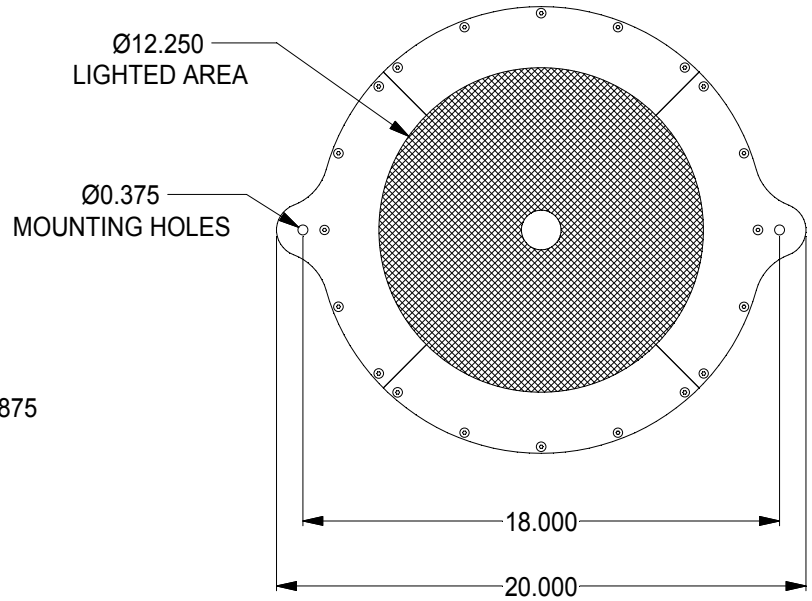


# TOP VIEW

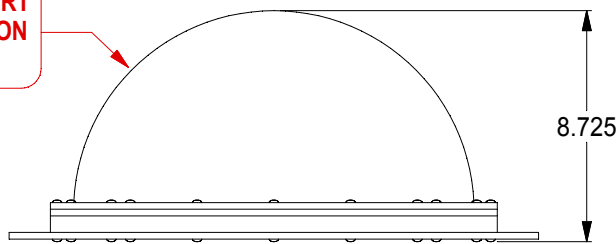


# BOTTOM VIEW



# SIDE VIEW

**DO NOT EXERT  
PRESSURE ON  
DOME**



THIS DIMENSION IS  
APPROXIMATE

## **WARNING!!!**

*USE ONLY SPECTRUM ILLUMINATION  
LDM2 ADAPTER. DO NOT CONNECT  
LIGHT TO 24VDC DIRECTLY. FAILURE  
TO FOLLOW THESE DIRECTIONS WILL  
RESULT IN PREMATURE LED FAILURE  
AND VOID THE WARRANTY.*

**1.5 AMP MAX**

# DL12.25 MOUNT DRAWING