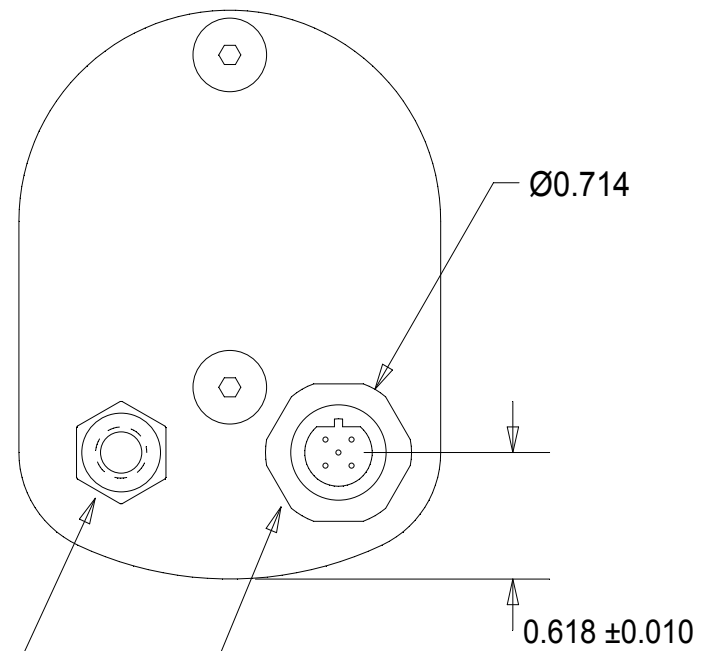
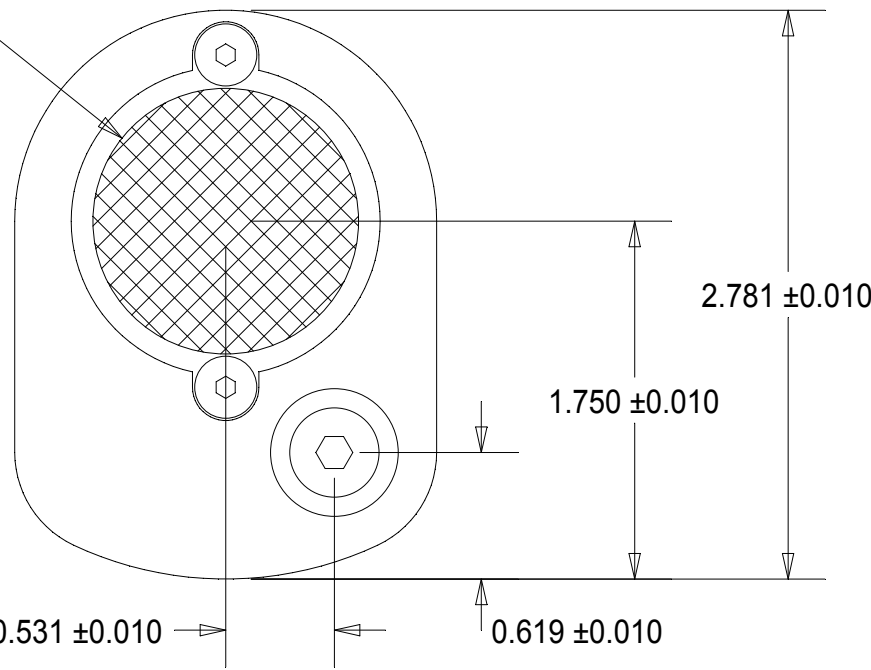


Ø1.300 ±0.010
LIGHTED AREA

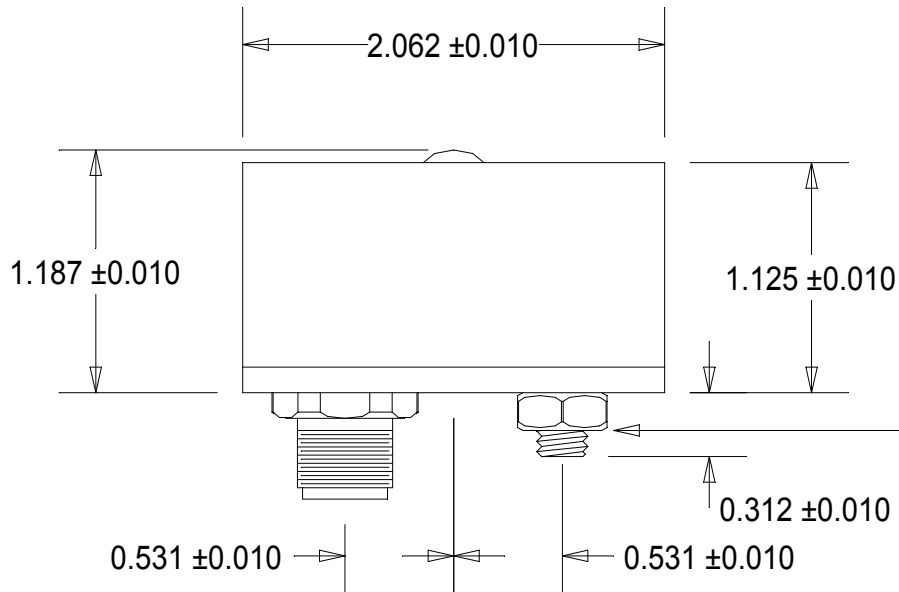


5-PIN REVERSE KEYS
EUROFAST CONNECTOR

1/4-20 STUD
FOR MOUNTING
NUT INCLUDED

WARNING!!!

DO NOT CONNECT LIGHT TO 24VDC. USE ONLY SPECTRUM ILLUMINATION LED DRIVER MODULE (LDM) SP1.25-1 ADAPTER. FAILURE TO DO SO WILL RESULT IN PREMATURE LED BURNOUT AND WILL VOID THE WARRANTY.



SP1.25 MONSTER SPOT MOUNT SPECIFICATIONS