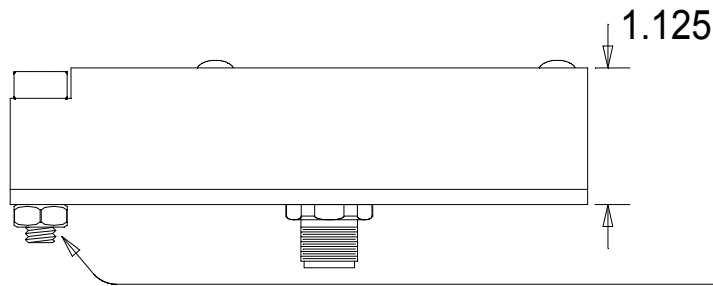
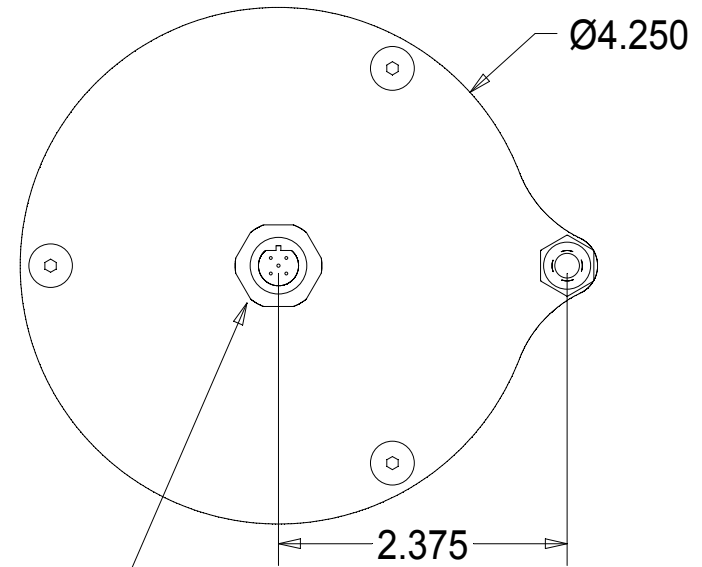
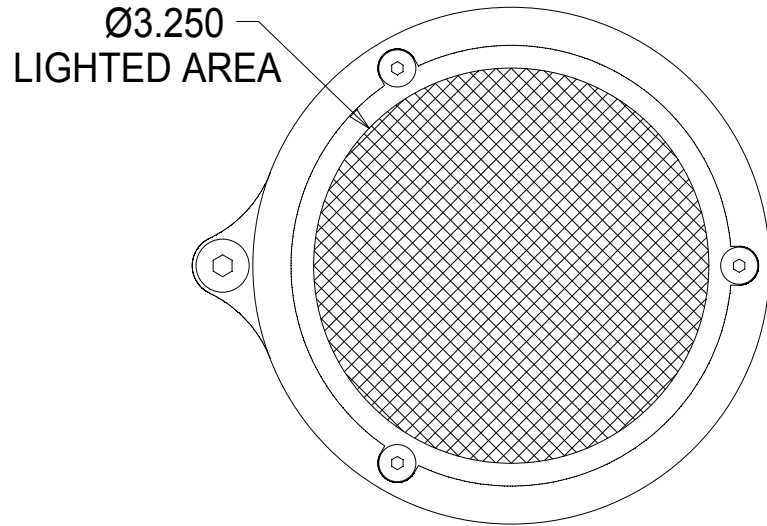


TOP VIEW

BOTTOM VIEW



SIDE VIEW

5-PIN REVERSE KEYED
EUROFAST CONNECTOR

1/4-20 STUD
FOR MOUNTING
NUT INCLUDED

WARNING!!!

DO NOT CONNECT LIGHT
TO 24VDC. USE ONLY
SPECTRUM ILLUMINATION
LED DRIVER MODULE (LDM).
FAILURE TO DO SO WILL
RESULT IN PREMATURE
LED BURNOUT AND WILL
VOID THE WARRANTY.

SP3.25 SPOT MOUNT SPECIFICATIONS